



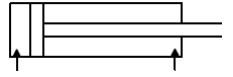
QHTM CYLINDRES / CYLINDERS

HYDRAULIQUE / HYDRAULIC

PATTES / STABILIZER

STANDARD & CUSTOM





CYLINDRES / CYLINDERS

STABILIZER

QH™ STAB Series Mechanical Locking Stabilizer cylinders replace manual systems used to position equipment at a desired location and height. Traditional methods to secure equipment are the use of crank type trailer jacks, manual jacking and blocking systems, or the use of fixed hydraulic lifting jacks and wood blocking to set equipment in place.

The primary advantages of replacing these manual methods of stabilizing equipment with a Mechanical Locking Stabilizer cylinder are operator ease, speed, and accuracy. These unique cylinders provide infinite adjustments over a long range which means operators can more quickly and precisely set equipment in the field before use. Furthermore, the positive locking feature provides greater assurance there will be no creeping from the desired settings.

QH™ offers a standard, pre-engineered line up of Mechanical Locking Stabilizer cylinders in Standard and Ball End designs for quick order turnaround. Each model includes a wide range of standard features to accommodate many OEM applications.

Standard Stabilizer cylinder sizes range in bore diameters from 4" to 6", and stroke lengths from 12" to 30".

All standard Stabilizer cylinders are pressure rated up to 3000 PSI. Every Stabilizer cylinder model features an external adjustable solid or split ring mechanism that locks the Stabilizer in position and eliminates the need for manual blocking.

Mechanical Locking Stabilizer cylinders are commonly used for levelling and outrigger applications. Examples of equipment include

Aggregate:

- Crushers
- Screen decks
- Conveyors
- Trailers, etc.

Trailers used for fixed location deployment:

- Mobile radar
- Communication towers
- Observation trailers, etc.

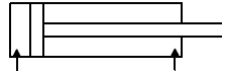
Oil and Gas Sector:

- Service rigs
- Coiled tubing rigs
- Drilling rigs
- Catwalks
- Pipe rams, etc.

Mobile Cranes:

- Commercial and industrial crane applications





CYLINDERS / CYLINDERS

STANDARD FEATURES

Intended Use: Leveling and outrigger applications

Rated Pressure: 3000 PSI

Rod Material: High tensile SAE C1026/St2.3 DOM,
hard chrome plated

Barrel Material: High tensile SAE C1026/St52.3
cold drawn tube precision honed for
extended seal life

Gland Material: Ductile iron 65-45-12 (ASTM A536)

Piston Material: Ductile iron 65-45-12 (ASTM A536)

Piston Locknut: High tensile grade C

Locking Nut: 44W steel

Locking Thread: 4 TPI acme

Ports: NPTF

Port Plugs: High quality steel

Internal: North American

Seals: Paint 2 part urethane black

Finish: 100% full cycle tested

Testing:

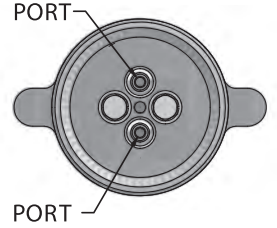
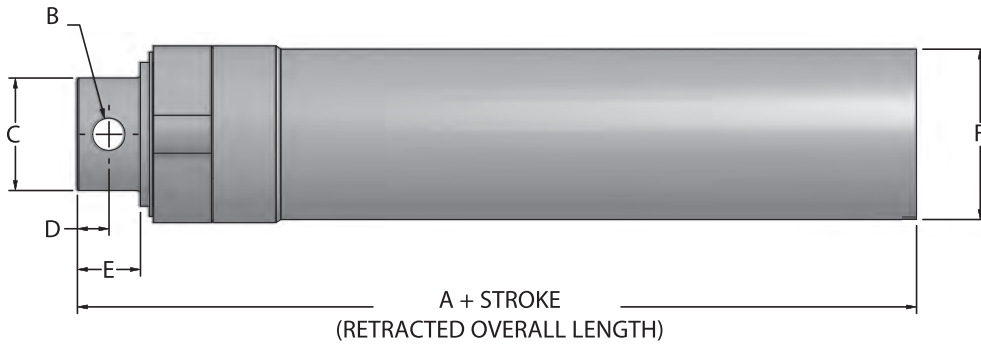
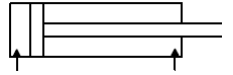
BUILT TO YOUR SPECIFICATIONS

- Ball end mounts
- Solid locking nut
- Split locking nut
- Jacking pad
- Custom mounts
- Internal pilot operated check valve
- Internal counterbalance valve
- ORB ports
- Side ports
- Custom stroke length





STANDARD STABILIZER SOLID LOCKING NUT



Bore (inches)	A	B	C	D	E	F	Ports	Thread
4.00	13.25	1.28	3.50	1.25	2.50	5.50	1/4 NPTF	5.00-4 ACME 2G
5.00	13.25	1.28	4.50	1.25	2.50	6.75	1/4 NPTF	6.00-4 ACME 2G
6.00	13.25	1.28	4.50	1.25	2.50	8.00	1/4 NPTF	7.00-4 ACME 2G

Measurements for A, B, C, D, E, F are in inches.

All specifications are subject to change without notice.



CYLINDRES / CYLINDERS

Bore (inches)	Part Number	Stroke (inches)	Rod Diameter (inches)	Overall Length (inches)		Ports	Pin Diameter Nominal (inches)	Cylinder Push* (lbf)	Maximum Load** (lbf)	Shipping Weight (lbs)
				Retracted	Extended					
4.00	QH4507400	12.00	3.500	25.25	37.25	1/4 NPTF	1.250	37700	129000	104
	QH4506811	14.75		28.00	42.75					114
	QH4507402	20.00		33.25	53.25					133
	QH4507404	24.00		37.25	61.25					148
	QH4507406	30.00		43.25	73.25					169
5.00	QH4507408	12.00	3.500	25.25	37.25	1/4 NPTF	1.250	58900	156100	140
	QH4506812	14.75		28.00	42.75					153
	QH4507319	20.00		33.25	53.25					177
	QH4507410	24.00		37.25	61.25					195
	QH4507412	30.00		43.25	73.25					222
6.00	QH4507414	12.00	4.500	25.25	37.25	1/4 NPTF	1.250	84800	212800	216
	QH4506813	14.75		28.00	42.75					235
	QH4507416	20.00		33.25	53.25					272
	QH4506931	24.00		37.25	61.25					300
	QH4507418	30.00		43.25	73.25					341

* Cylinder push is calculated at the design pressure of 3000 PSI.

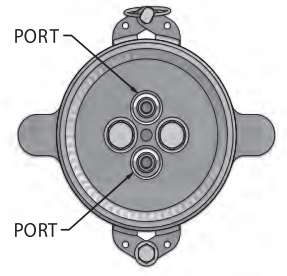
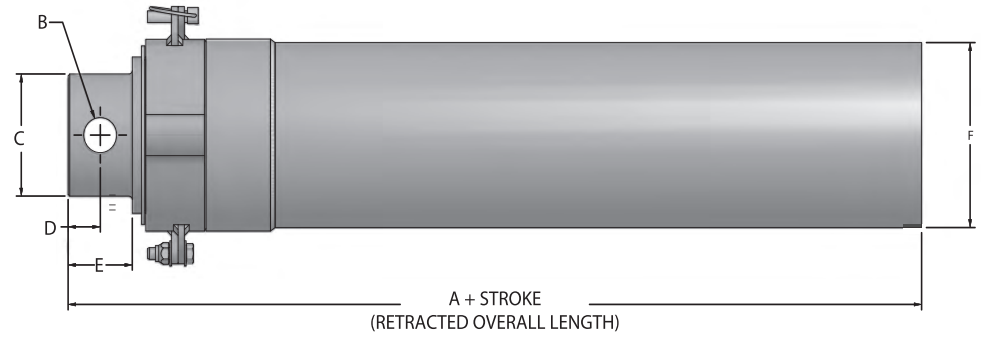
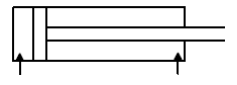
** Maximum Load is based on a SF of 2, and is applicable when the stabilizer is in the locked position.

All specifications are subject to change without notice.
All weights are approximate shipping weights.



STANDARD STABILIZER SPLIT LOCKING NUT

CYLINDRES / CYLINDERS



Bore (inches)	A	B	C	D	E	F	Ports	Thread
4.00	13.25	1.28	3.50	1.25	2.50	5.50	1/4 NPTF	5.00-4 ACME 2G
5.00	13.25	1.28	4.50	1.25	2.50	6.75	1/4 NPTF	6.00-4 ACME 2G
6.00	13.25	1.28	4.50	1.25	2.50	8.00	1/4 NPTF	7.00-4 ACME 2G

Measurements for A, B, C, D, E, F are in inches.

All specifications are subject to change without notice.

Bore (inches)	Part Number	Stroke (inches)	Rod Diameter (inches)	Overall Length (inches)		Ports	Pin Diameter Nominal (inches)	Cylinder Push* (lbf)	Maximum Load** (lbf)	Shipping Weight (lbs)
				Retracted	Extended					
4.00	QH4507420	12.00	3.500	25.25	37.25	1/4 NPTF	1.250	37700	129000	104
	QH4507421	14.75		28.00	42.75					114
	QH4507422	20.00		33.25	53.25					133
	QH4507423	24.00		37.25	61.25					148
	QH4507424	30.00		43.25	73.25					169
5.00	QH4507425	12.00	3.500	25.25	37.25	1/4 NPTF	1.250	58900	156100	140
	QH4507426	14.75		28.00	42.75					153
	QH4507427	20.00		33.25	53.25					177
	QH4507428	24.00		37.25	61.25					195
	QH4507429	30.00		43.25	73.25					222
6.00	QH4507430	12.00	4.500	25.25	37.25	1/4 NPTF	1.250	84800	212800	216
	QH4507431	14.25		28.00	42.75					235
	QH4507432	20.00		33.25	53.25					272
	QH4507433	24.00		37.25	61.25					300
	QH4507434	30.00		43.25	73.25					341

* Cylinder push is calculated at the design pressure of 3000 PSI.

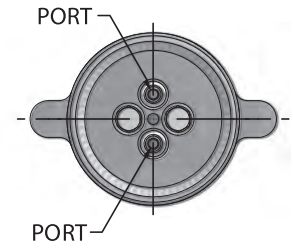
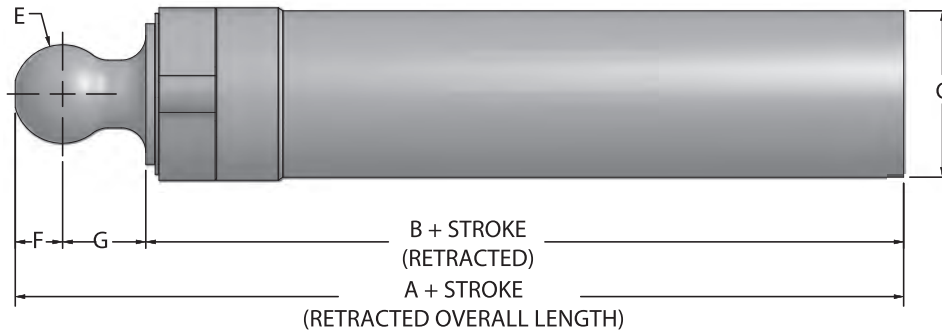
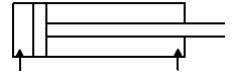
** Maximum Load is based on a SF of 2, and is applicable when the stabilizer is in the locked position.

All specifications are subject to change without notice. All weights are approximate shipping weights.



BALL END STABILIZER SOLID LOCKING NUT

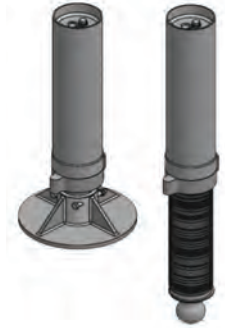
CYLINDRES / CYLINDERS



Bore (inches)	A	B	C	D	E	F	G	H	Ports	Thread
4.00	14.88	10.75	5.50	3.63	4.00	1.30	2.00	12.00	1/4 NPTF	5.00-4 ACME 2G
5.00	17.50	10.75	6.75	5.75	4.00	1.93	3.38	16.00	1/4 NPTF	6.00-4 ACME 2G
6.00	17.50	10.75	8.00	5.75	4.00	1.93	3.38	16.00	1/4 NPTF	7.00-4 ACME 2G

Measurements for A, B, C, D, E, F, G, H are in inches.

All specifications are subject to change without notice.



Bore (inches)	Part Number	Stroke (inches)	Rod Diameter (inches)	Overall Length (inches)		Ports	Pin Diameter Nominal (inches)	Cylinder Push* (lbf)	Maximum Load** (lbf)	Shipping Weight (lbs)
				Retracted	Extended					
4.00	QH4507700	12.00	3.500	28.38	40.38	1/4 NPTF	4.000	37700	129000	128
	QH4507701	14.75		30.81	45.56					138
	QH4507702	20.00		40.06	56.06					157
	QH4507703	24.00		46.05	64.06					172
	QH4507704	30.00		44.88	76.05					193
5.00	QH4507705	12.00	3.500	28.06	40.06	1/4 NPTF	4.000	58900	156100	214
	QH4506903	14.75		30.81	45.56					226
	QH4507206	20.00		36.06	56.06					251
	QH4507706	24.00		40.06	64.06					269
	QH4507707	30.00		46.05	76.05					296
6.00	QH4507708	12.00	4.500	28.06	40.06	1/4 NPTF	4.000	84800	212800	290
	QH4507709	14.75		30.81	45.56					309
	QH4507710	20.00		36.06	56.06					345
	QH4507711	24.00		40.06	64.06					374
	QH4507712	30.00		46.05	76.05					415

* Cylinder push is calculated at the design pressure of 3000 PSI.

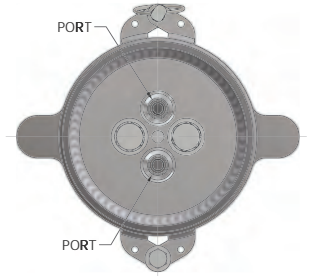
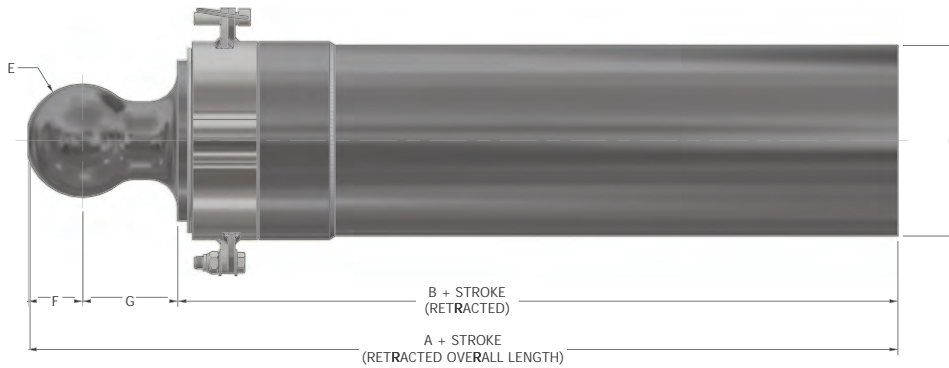
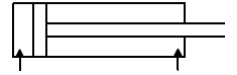
** Maximum Load is based on a SF of 2, and is applicable when the stabilizer is in the locked position.

All specifications are subject to change without notice.

All weights are approximate shipping weights.



BALL END STABILIZER SPLIT LOCKING NUT



Bore (inches)	A	B	C	D	E	F	G	H	Ports	Thread
4.00	14.88	10.75	5.50	3.63	4.00	1.30	2.00	12.00	1/4 NPTF	5.00-4 ACME 2G
5.00	17.50	10.75	6.75	5.75	4.00	1.93	3.38	16.00	1/4 NPTF	6.00-4 ACME 2G
6.00	17.50	10.75	8.00	5.75	4.00	1.93	3.38	16.00	1/4 NPTF	7.00-4 ACME 2G

Measurements for A, B, C, D, E, F, G, H are in inches.

All specifications are subject to change without notice.

CYLINDRES / CYLINDERS

Bore (inches)	Part Number	Stroke (inches)	Rod Diameter (inches)	Overall Length (inches)		Ports	Pin Diameter Nominal (inches)	Cylinder Push* (lbf)	Maximum Load** (lbf)	Shipping Weight (lbs)
				Retracted	Extended					
4.00	QH4507713	12.00	3.500	28.38	40.38	1/4 NPTF	4.000	37700	129000	128
	QH4507714	14.75		30.81	45.56					138
	QH4507715	20.00		40.06	56.06					157
	QH4507716	24.00		46.05	64.06					172
	QH4507717	30.00		44.88	76.05					193
5.00	QH4507718	12.00	3.500	28.06	40.06	1/4 NPTF	4.000	58900	156100	214
	QH4507719	14.75		30.81	45.56					226
	QH4507720	20.00		36.06	56.06					251
	QH4507721	24.00		40.06	64.06					269
	QH4507722	30.00		46.05	76.05					296
6.00	QH4507723	12.00	4.500	28.06	40.06	1/4 NPTF	4.000	84800	212800	290
	QH4507724	14.25		30.81	45.56					309
	QH4507725	20.00		36.06	56.06					345
	QH4507726	24.00		40.06	64.06					374
	QH4507727	30.00		46.05	76.05					415

* Cylinder push is calculated at the design pressure of 3000 PSI.

** Maximum Load is based on a SF of 2, and is applicable when the stabilizer is in the locked position.

All specifications are subject to change without notice.

All weights are approximate shipping weights.